

MODEL	BF-P30
Standby Power (50Hz)	24KW /30KVA
Prime Power (50Hz)	21.8KW /27.25KVA

### Standard Features

#### General Features:

Engine ( Perkins 404D-22TG )  
 Radiator 40°C max, fans are driven by belt, with safety guard  
 24V charge alternator  
 Alternator: single bearing alternator IP23, insulation class H/H  
 Absorber  
 Dry type air filter, fuel filter, oil filter  
 Main line circuit breaker  
 Standard control panel  
 batteries, rack and cable  
 Ripple flex exhaust pipe, exhaust siphone, flange, muffler  
 User manual



PHOTO FOR REFERENCE ONLY

### Generator Ratings

Voltage	HZ	Phase	P.F (COS $\phi$ )	Standby Amps	Standby Ratings (KW/KVA)	Prime Ratings (KW/KVA)
440/254	50	3	0.8	39.3	24/30	21.8/27.25
415/240	50	3	0.8	41.7	24/30	21.8/27.25
400/230	50	3	0.8	43.3	24/30	21.8/27.25
380/220	50	3	0.8	45.5	24/30	21.8/27.25

**Prime Power (PRP):** Prime power is available for an unlimited number of annual hours in variable load application, in accordance with GB/T2820-97 (eqvISO8528) ; A 10% overload capability is available for a period of 1 hour within a 12-hour period of operation.

**Standby Power Rating (ESP):** The standby power rating is applicable for supplying emergency power for the duration of a utility power interruption. No overload, utility parallel or negotiated outage operation capability is available at this rating.

### Sales Promises

Baifa Power provides a full line of brand new and high quality products. Each and every unit is strictly factory tested.

Warranty is according to our standard conditions: 12 months or 1,000 running hours, subject to the earlier one.

Service and parts are available from Baifa Power or distributors in your location.

**ENGINE DATA**

Manufacturer / Model:	Perkins 404D-22TG, 4-cycle
Air Intake System:	Turbo
Fuel Injection System:	Direct Injection
Cylinder Arrangement:	4 in line
Displacement:	2.216L
Bore and Stroke:	84×100 (mm)
Compression Ratio:	23.3:1
Rated RPM:	1500rpm
Max. Standby Power at Rated RPM:	27.7KW/37.1HP
Governor Type:	Electronic

**Exhaust System**

Exhaust Gas Flow:	6.1m <sup>3</sup> /min
Exhaust Temperature:	490°C
Max Back Pressure:	10.2kPa

**Air Intake System**

Max Intake Restriction:	6.4kPa
Consumption:	2.08m <sup>3</sup> /min
Air Flow:	102m <sup>3</sup> /min

**Fuel System**

100%( Prime Power) Load:	246 g/Kwh
75%(Prime Power) Load:	232 g/Kwh
50%(Prime Power) Load:	238 g/Kwh
100%( Prime Power) Load:	7.4L/h

**Oil System**

Total Engine Oil Capacity:	10.6L
Engine Oil Tank Capacity:	10L
Min Oil Pressure at Rated RPM:	352-448kPa

**Cooling System**

Total Coolant Capacity:	9.32L
Thermostat:	82-95°C
Max top tank Temperature:	112°C

**ALTERNATOR SPECIFICATION****GENERAL DATA**

Compliance with GB755,BS5000,VDE0530,NEMA MG1-22,IEC-34,CSA C22-100and AS1359 standards.

**Alternator Data**

Number of Phase:	3
Connecting Type:	3 Phase and 4 Wires, "Y" type connecting
Number of Bearing:	1
Power Factor:	0.8
Protection Grade:	IP23
Altitude:	≤1000m
Exciter Type:	Brushless, self-exciting
Insulation Class, Temperature Rise:	H/H
Telephone Influence Factor (TIF):	<50
THF:	<2%
Voltage Regulation, Steady State:	≤±1%
Alternator Capacity:	27.5KVA
Alternator Efficiencies:	86.3%
Air Cooling Flow:	0.1m <sup>3</sup> /s

**GENERATING SET DATA**

Voltage Regulation:	≥±5%
Voltage Regulation, Stead State:	≤±1%
Sudden Voltage Warp (100% Sudden Reduce):	≤+25%
Sudden Voltage Warp (Sudden Increase):	≤-20%
Voltage Stable Time (100% Sudden Reduce):	≤6S
Voltage Stable Time (Sudden Increase)	≤6S
Frequency Regulation, Stead State:	≤5%
Frequency Waving:	≤1%
Sudden Frequency Warp (100% Sudden Reduce):	≤+12%
Sudden Frequency Warp (Sudden Increase):	≤-10%
Frequency Recovery Time (100% Sudden Reduce):	≤5S
Frequency Recovery Time (Sudden Increase):	≤5S

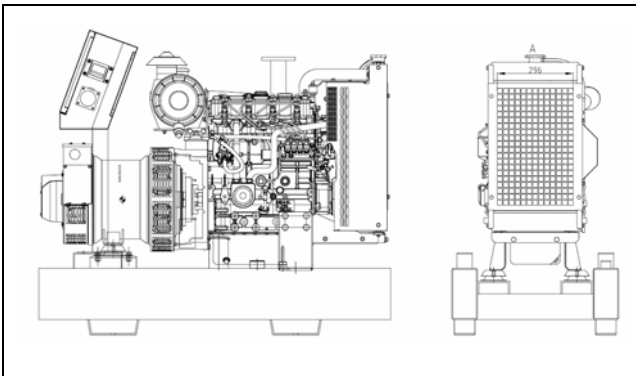
### Standard Features

- ◇ Baifa Standard Auto Control System
- ◇ Oil Drain Valve
- ◇ Documents
- ◇ MCCB
- ◇ Exhaust System( including until muffler)
- ◇ Starting batteries( Maintenance-Free & Watering-Free) with connective wires
- ◇ Base Fuel Tank

### Options

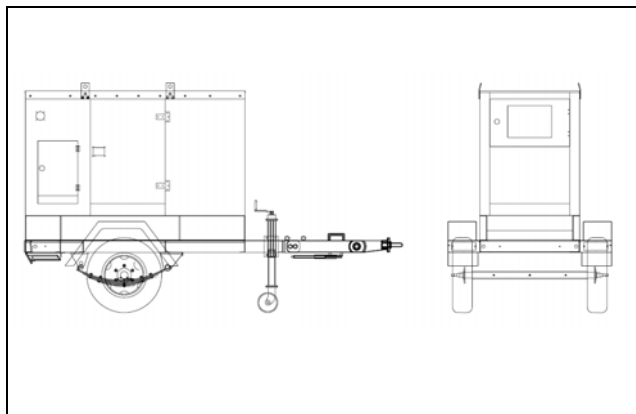
- ◇ Daily Fuel Tank
- ◇ Battery Charger
- ◇ Engine Heater
- ◇ Alternator Heater
- ◇ Water Separator
- ◇ Permanent Magnet Generator(PMG)
- ◇ Rainproof Type
- ◇ Soundproof Type
- ◇ Trailer Type
- ◇ Remote Control Panel
- ◇ Automatic Transfer Switch
- ◇ Switch box
- ◇ Spare Parts

### Dimension & Weight



#### Open Type with Base Fuel Tank

Overall Size: 1400 (mm) × 650 (mm) × 1300 (mm)  
Weight: 455 kg



#### Soundproof Type

Overall Size: 1910 (mm) × 880 (mm) × 1450 (mm)  
Weight: 1080kg

#### Trailer Type

Overall Size: 2500 (mm) × 1490 (mm) × 2050 (mm)  
Weight: 1730kg

### Standard Control Panel



**Baifa Standard Control Panel** uses micro processing technique integrating digital, intelligent and network techniques which can carry out functions including auto start/stop, data measure, alarming. The controller uses LCD display, optional Chinese and English display interface with operation easy and reliable. It can be widely used in all types of generator automatic control system for compact structure, advanced circuits, simple connections and high reliability

### Auto Module Control Panel



**Auto Module Control Panel** is the configuration for nobody on duty controlling generators. This kind of panel adopts auto module control system, with large LCD display to show the menu.

Features: MRS10-can receive remote output signal from ATS and realize auto start and stop of generators.

MRS16-can realize all functions of MRS10, add RS232 interface which can communicate with PC to realize remote operation.

AMF25-Auto Mains Failure controller, can realize all functions of MRS16, furthermore can detect ATS and control directly.